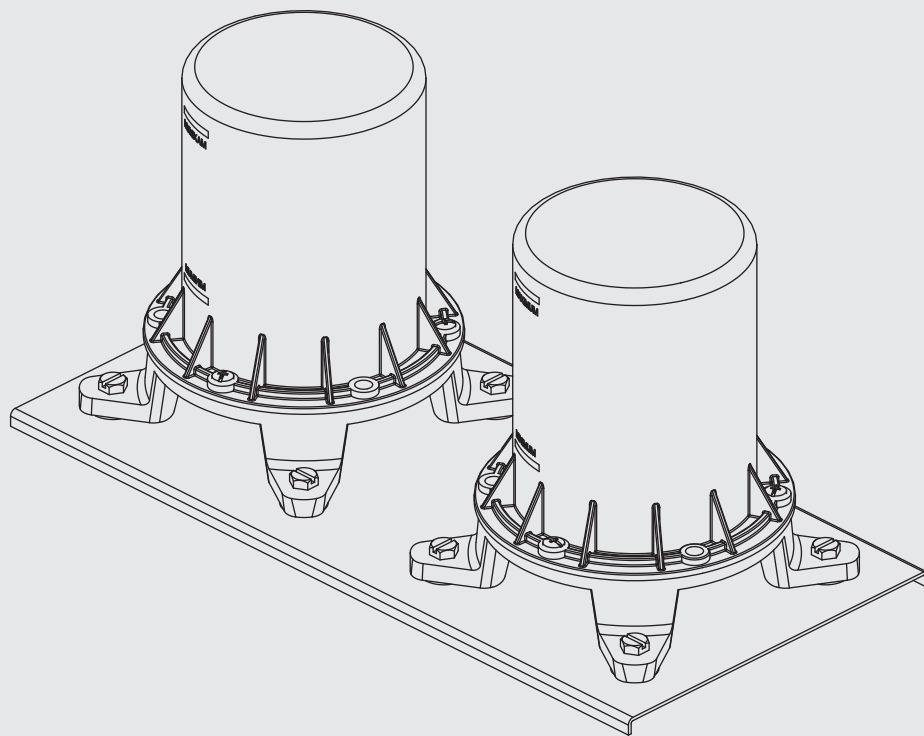


## INSTALLATION INSTRUCTIONS

# R1-4212

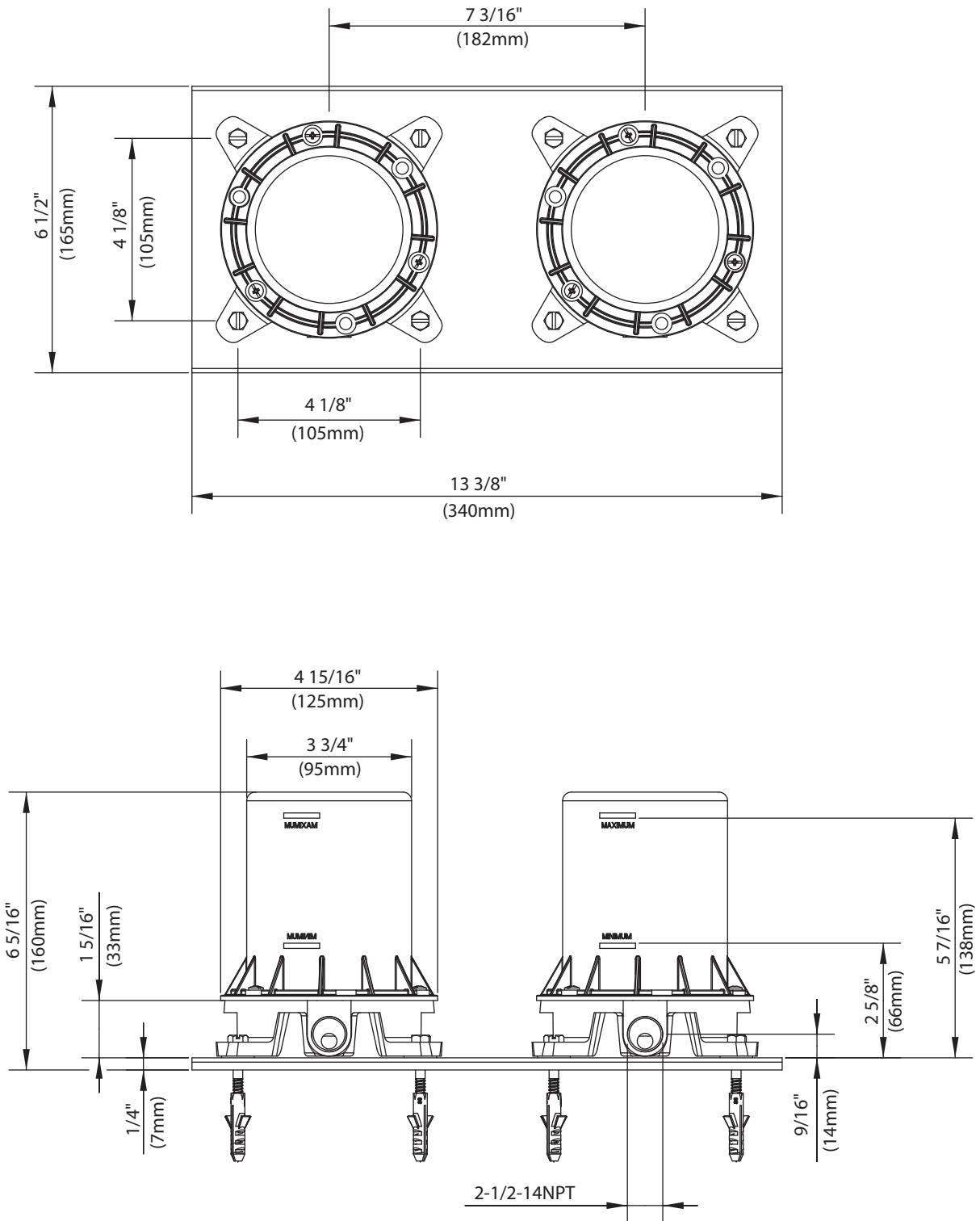
DOUBLE-MOUNTED BATH SHOWER MIXER ROUGHS, FOR USE WITH C1-2664 & C1-2666 STANDPIPES



LEFROY BROOKS

# Dimensions in Inches (& Millimetres)

R1-4212

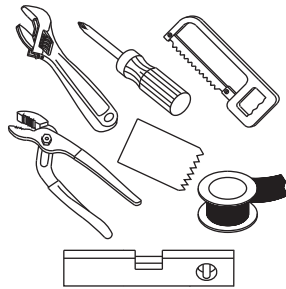


Whilst every effort is made to ensure accuracy, design and dimensions are subject to change without notice as part of the company's product development process.

# What you need to know

## Tools:

Adjustable Wrench  
Groove Joint Pliers  
Hacksaw  
Phillips Screwdriver  
Pipe Tape  
Spatula  
Spirit Level



## Safety Tips

If you are soldering during faucet installation, remove cartridges, seats, gaskets and washers prior to applying flame, otherwise you will void the warranty.

Cover drain openings to avoid losing small parts.

When cutting or soldering pipe, use safety glasses to protect your eyes.

## Things You May Need

Correct installation may vary depending on previous faucet installation. All necessary supplies required for faucet installation are not included, but may be found where plumbing supplies are sold. It is suggested that IAPMO and/or CSA approved plumbing supplies are used during installation.

## Standards

Meets A112.18.1

Please note :

Final achievable flow rate is dependent on the outlets fitted, see relevant outlets (spouts, roses, sprays) for fully assembled product flow rate.

## Maintenance

Your new bathroom faucet is designed for years of trouble-free performance.

Keep it looking new by cleaning it periodically with a soft cloth. Avoid abrasive cleaners, wire wool and harsh chemicals as these will dull the finish and void your warranty.

## Important Points

Prior to beginning installation, turn off the cold and hot water lines and open the old faucet to release built-up pressure.

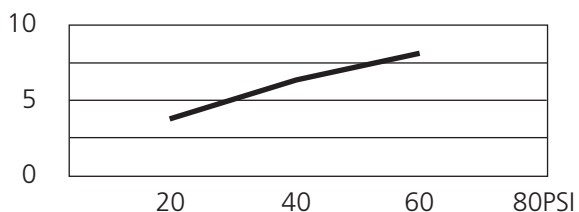
Overtightening nuts may cause damage.

Wrap all threaded connections with pipe tape available at your local plumbing supply store. Always wrap in a clockwise direction. The fittings should be installed by a state-licensed plumber.

Please note:

When there is a difference in water pressure between hot and cold supplies to the mixing valve, the pressures should be equalized by a plumber in accordance with best practice and legislation.

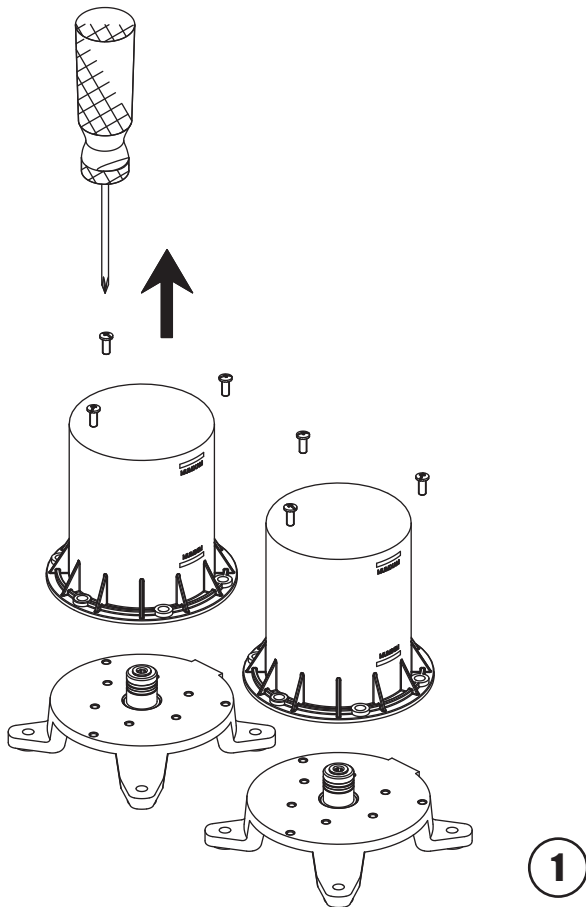
## Flow Rate



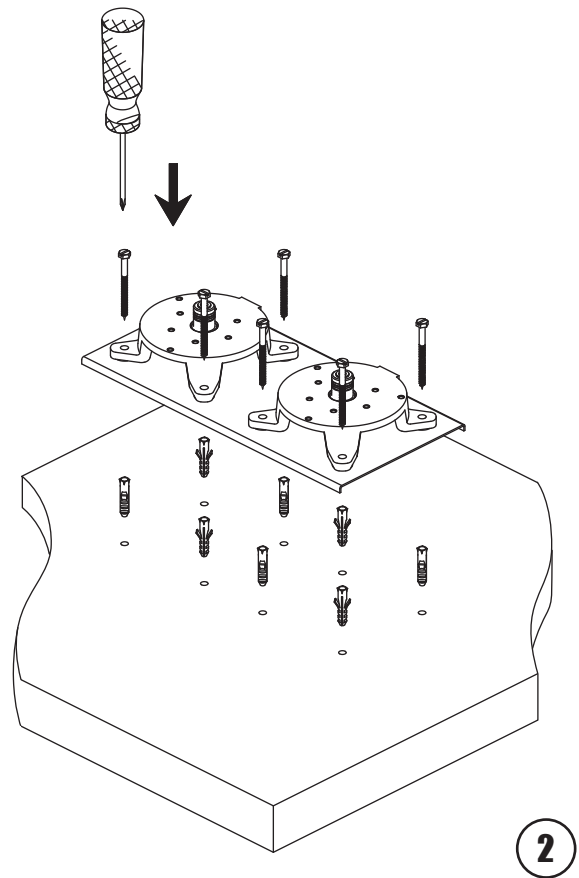
# Steps 1-2

## Installation Procedure

Lefroy Brooks always recommends that plumbing products be installed by a licensed professional. Shut off main water supply before installation.



**1** Take off the protective cap.

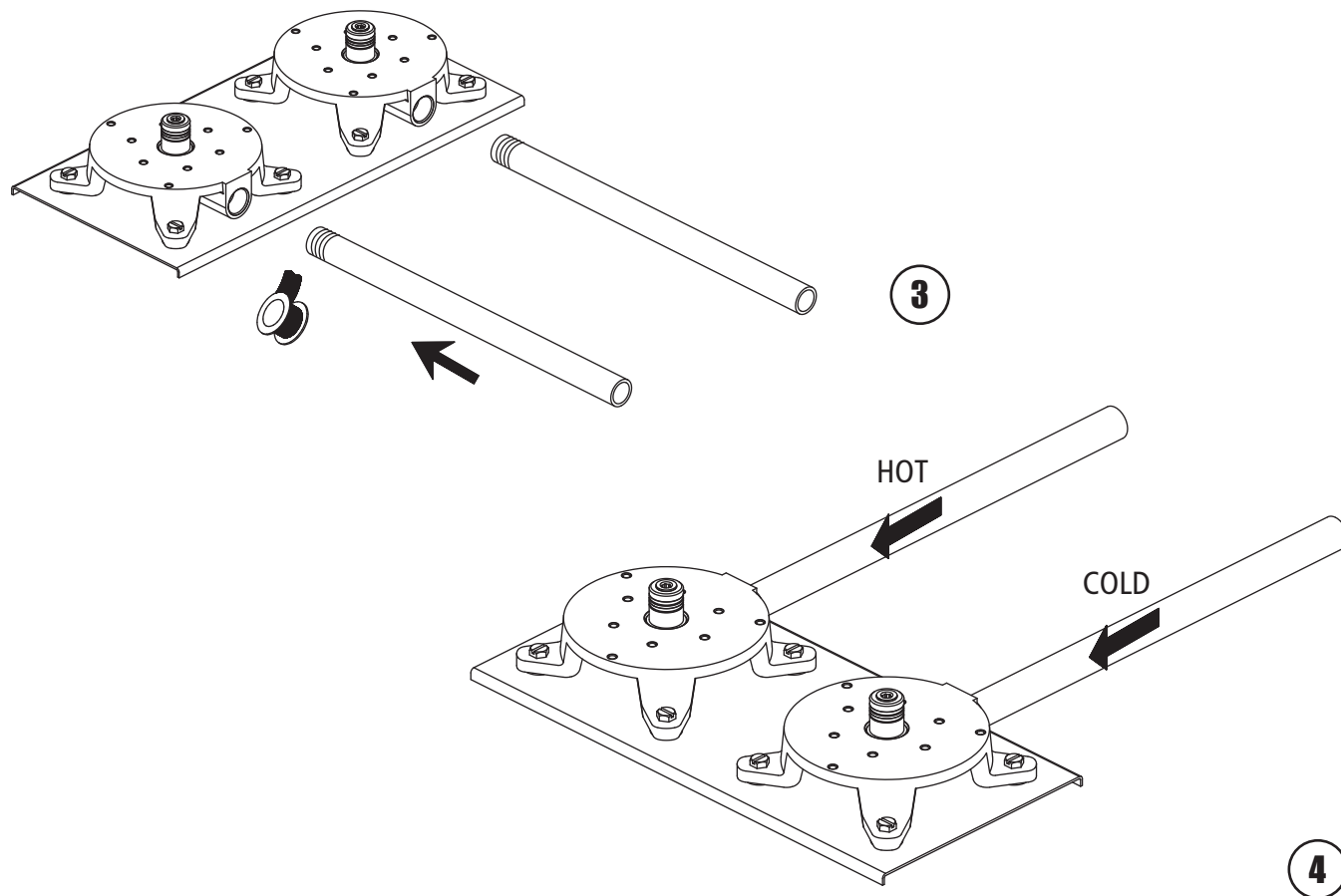


**2** Use the Base plate as a template to mark the position of the screw holes on the subfloor. Fasten the body to the subfloor through the Base plate with the screws provided. Make sure that the body is level.

# Steps 3-4

## Installation Procedure

Lefroy Brooks always recommends that plumbing products be installed by a licensed professional. Shut off main water supply before installation.



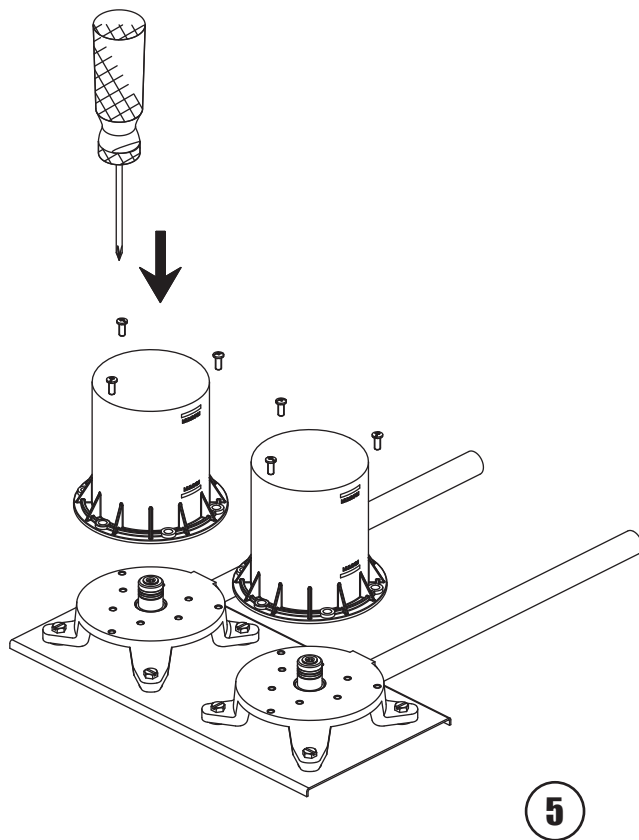
**3** Flush debris from supply pipes. Wrap threads with pipe tape. Connect supply pipes to body.

**4** With outlets plugged, turn on water supplies to check for leakage.

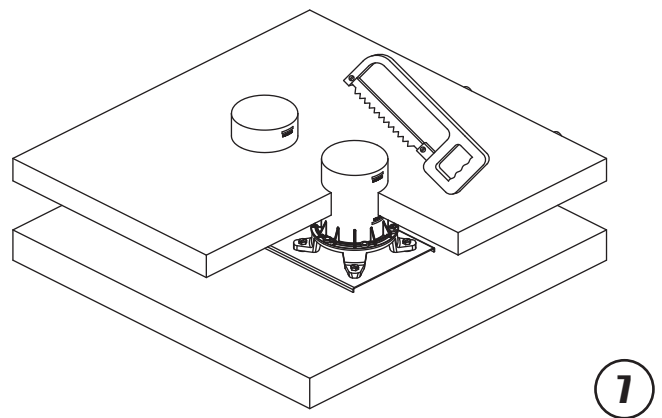
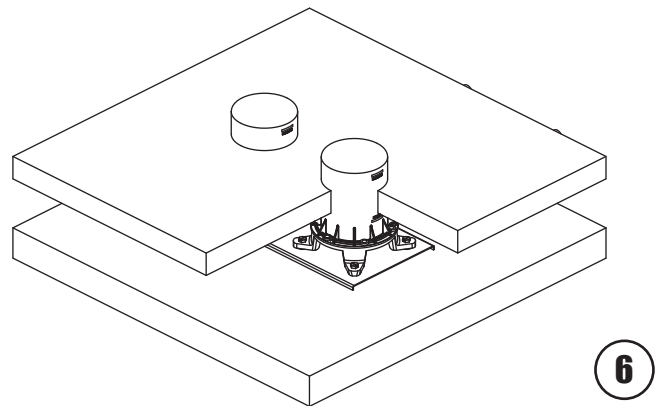
# Steps 5-7

## Installation Procedure

Lefroy Brooks always recommends that plumbing products be installed by a licensed professional. Shut off main water supply before installation.



**5** Replace the protective cap.



**6** Lay flooring material. Follow all applicable local codes regarding waterproofing. The surface of the finished floor must fall somewhere between the "MAXIMUM" and "MINIMUM" marks on the protective cap.

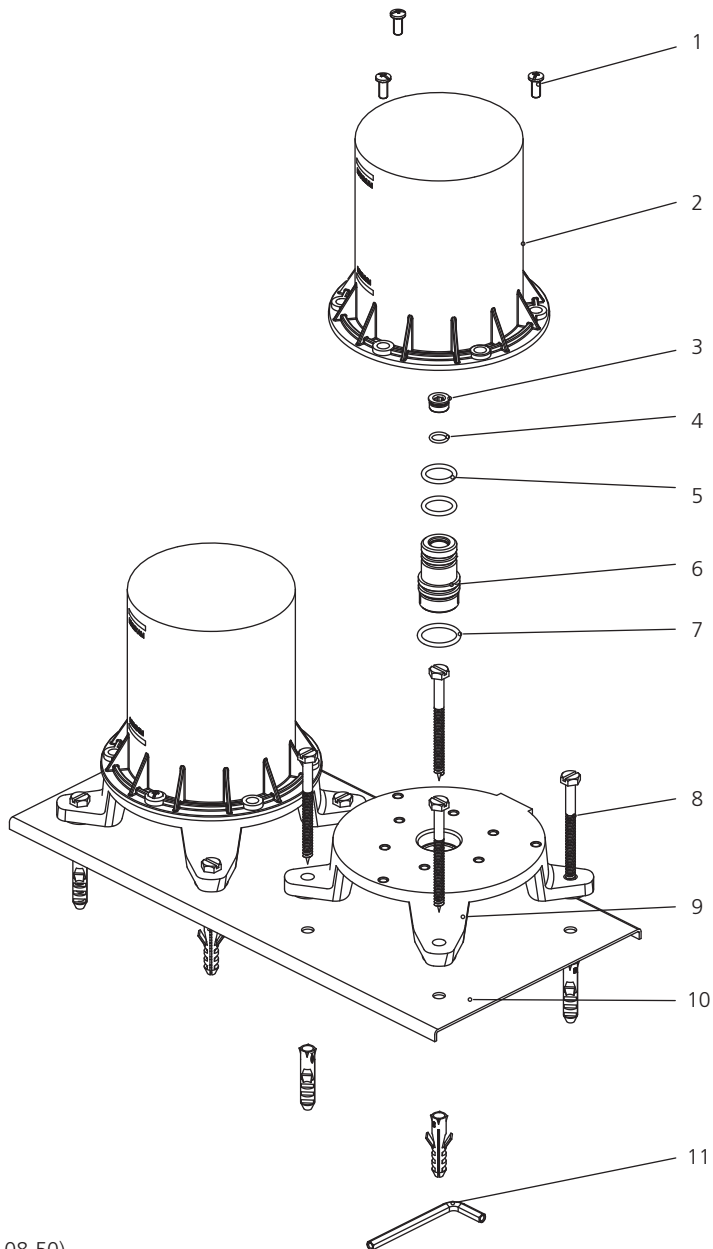
**7** After the floor is finished, cut off the protective cup with a hacksaw or reciprocating saw. Please note that the cutting point should be within 1/4" (7mm) height from the floor surface.

# Exploded View

## Parts List

---

R1-4212



- 1 Screw (292407)
- 2 Protective cap (038108-50)
- 3 Plug (028211)
- 4 O-ring (072060N)
- 5 O-ring (072095)
- 6 Aaptor (057730)
- 7 O-ring (004028N)
- 8 Fixing lit (290610)
- 9 Body (066106)
- 10 Base plate (006149)
- 11 Allen key (031213)

For additional assistance or service call

**718-302-5292**

**9am to 5pm EST Monday to Friday**



L E F R O Y   B R O O K S

[www.lefroybrooks.com](http://www.lefroybrooks.com)

LEFROY BROOKS INC, 1828 TROUTMAN STREET, RIDGEWOOD, NY, 11385  
TELEPHONE: 718-302-5292. FAX: 718-302-4177

The use of trademarks, product design and artwork is subject to licence or agreement with Christo A. Lefroy Brooks. The design registrations, trademark registrations and copyrights are protected by law and the use or reproduction outside the terms of an agreement is prohibited. The right to modify designs and dimensions is reserved. Christo Lefroy Brooks is a member of ACID (Anti Copying in Design).

©CHRISTO A. LEFROY BROOKS 2009